



- ▶ 150 cm unobstructed artefact free imaging area
- ▶ Smart & simple design
- ▶ Perfectly manoeuvrable
- ▶ Easy to use

C-Table

The new C-Table has been designed for a wide range of pain management procedures. Surprisingly smart & simple.



the key to medical innovation

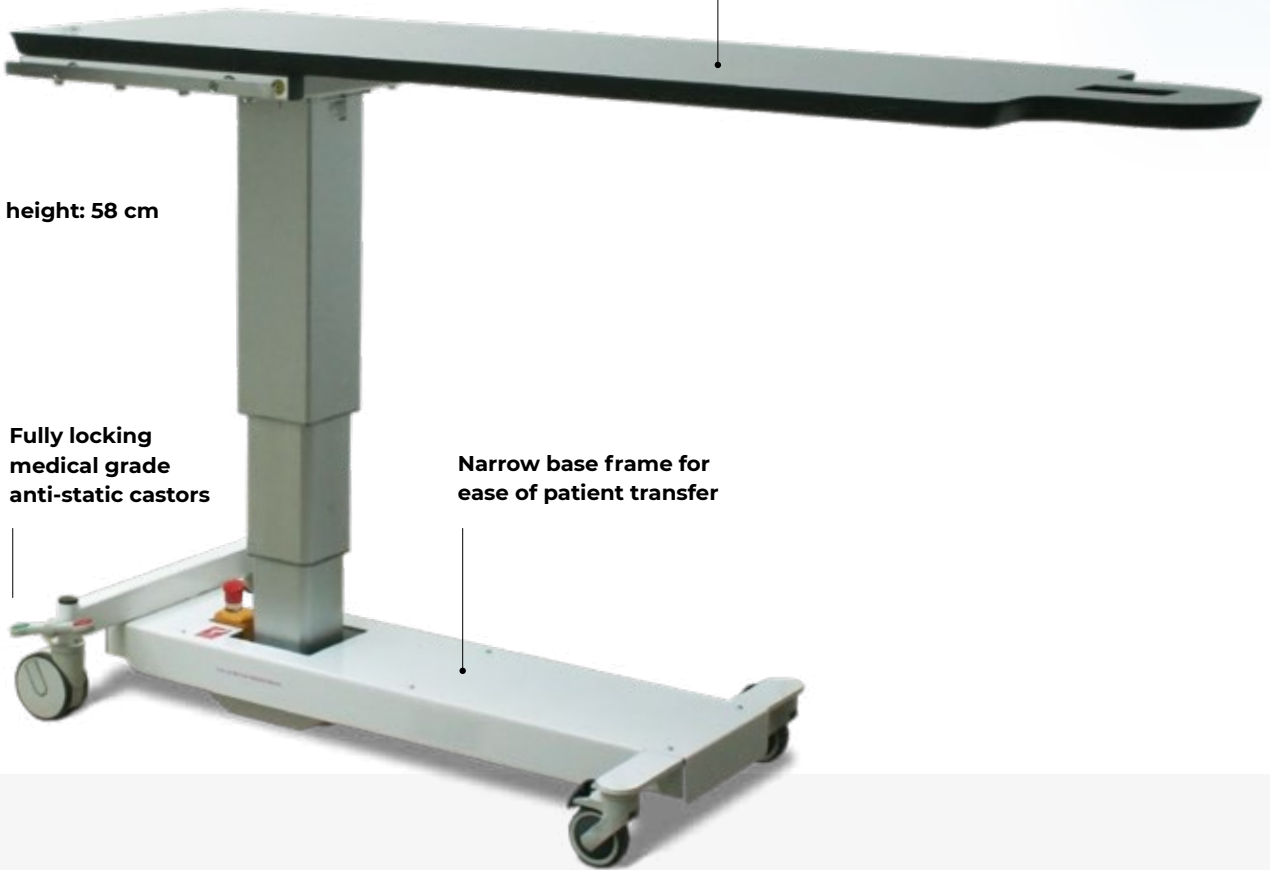
The new C-Table, which combines 150cm of unobstructed artefact free imaging platform, provides easy access for the most challenged patients.

Highest height: 98 cm



Lowered height: 58 cm

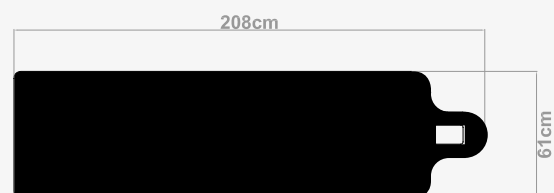
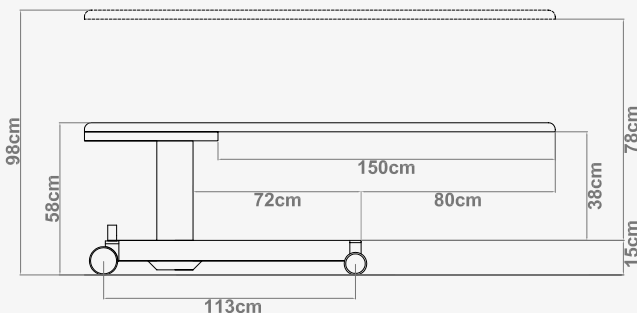
Carbon fibre top:
208 cm x 61 cm



Fully locking
medical grade
anti-static castors

Narrow base frame for
ease of patient transfer

Measurements



C-Table

The new C-Table, which combines 150cm of unobstructed artefact free imaging platform, provides easy access for the most challenged patients.

Standard features

- ▶ 150 cm unobstructed artefact free imaging area
- ▶ Large carbon top fibre: 208 cm x 61 cm
- ▶ Lowered height: 58 cm providing easy access
- ▶ Highest height: 98 cm
- ▶ 200 kg safe working load
- ▶ Narrow base frame for ease of patient transfer
- ▶ Fully locking medical grade anti-static castors
- ▶ Hand switch
- ▶ Top frame potential grounding point
- ▶ Easy access emergency stop & isolation button for additional patient safety
- ▶ Manufactured in the UK and fully CE marked

Available options

- ▶ Foot switch
- ▶ Pushing & positioning handrail
- ▶ Battery back up (Lithium)

Warranty

- ▶ **7 years** on couch frame,
- ▶ **3 years** on moving parts &
- ▶ **12 months** on battery (optional)



Perfectly manoeuvrable

- ▶ one step locking
- ▶ 360 degrees of movement
- ▶ in-line locking



200 kg

Safe working load of 200 kg



STOP

Easy access emergency stop & isolation button for additional patient safety

The new C-Table, surprisingly smart & simple!

| Codes | Description |
|--------------|---|
| CTABLE001 | C-Table Imaging Electric table for pain management, carbon fibre top, adjustable from 58 cm up to 98 cm |

Optional accessories

| | |
|------------|--|
| CTABLEAC01 | Stainless steel Euro accessory rails (pair of) |
| CTABLEAC02 | Lithium battery operating system |
| CTABLEAC03 | Handle bar (stainless steel) |
| CTABLEAC05 | Foot switch controls |
| CTABLESP08 | Mattress with face hole (visco foam/anti-static) |

Spare parts

| | |
|------------|--|
| CTABLESP01 | Carbon fibre top |
| CTABLESP02 | LC3 400 mm stroke column |
| CTABLESP03 | CO71 control box |
| CTABLESP04 | Euro powerlead |
| CTABLESP05 | HB30 handset 2 button |
| CTABLESP06 | Foot switch controls |
| CTABLESP07 | Lithium battery operating system |
| CTABLESP09 | Emergency stop & isolation button |
| CTABLESP10 | Full-length accessory rails (pair of) |
| CTABLESP11 | Handle bar (stainless steel) |
| CTABLESP12 | 100 mm front kick-lock castors |
| CTABLESP13 | 125 mm rear linked castors |
| CTABLESP14 | Linked castor double foot pedals LH/RH |

More information?

Please send us an email at info@equip.nl
and we will get back to you!